

50/54/60" Triple Bagger 19A70056100

Before beginning installation, remove all parts from the carton to make sure everything is present. Carton contents are listed below and shown in Figure 3-1. The hardware packs included in this kit are detailed at the end of this section.

- Boot Assembly - 631-18371
- Grass Bag Assembly (3) - 664-05104
- Vertical Bagger Support - 683-04519C
- Grass Bag Support - 683-04498B
- Chute Adapter - 731-10133
- Bagger Top Assembly - 631-06539
- Hose - 764-05275
- Hinge Pin - 711-05079
- Bag Deflector - 731-18471
- Hitch Adapter Bracket - 789-02137
- Bagger Screen - 731-06504
- RZT Bagger Weight - 719-04217A
- Weight Plates (3) - 789-02137
- Weight Hanger Bracket Left - 789-02197
- Weight Hanger Bracket Right - 789-021978
- Hardware Pack - 689-01419
- Hardware Pack - 689-02199
- Deflector Hardware - 689-02299
- Anti-marking Adhesive Strips - 777X52246

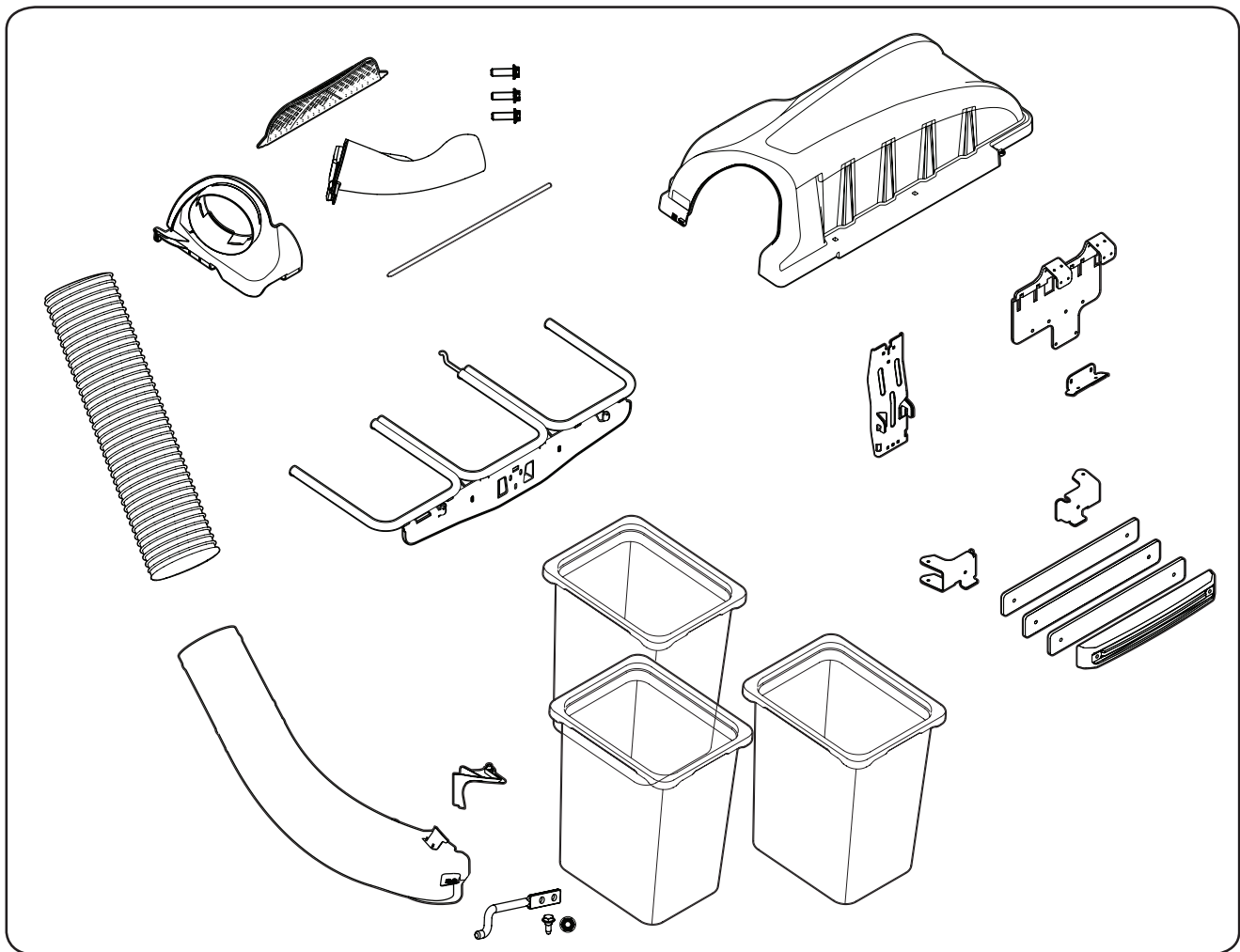
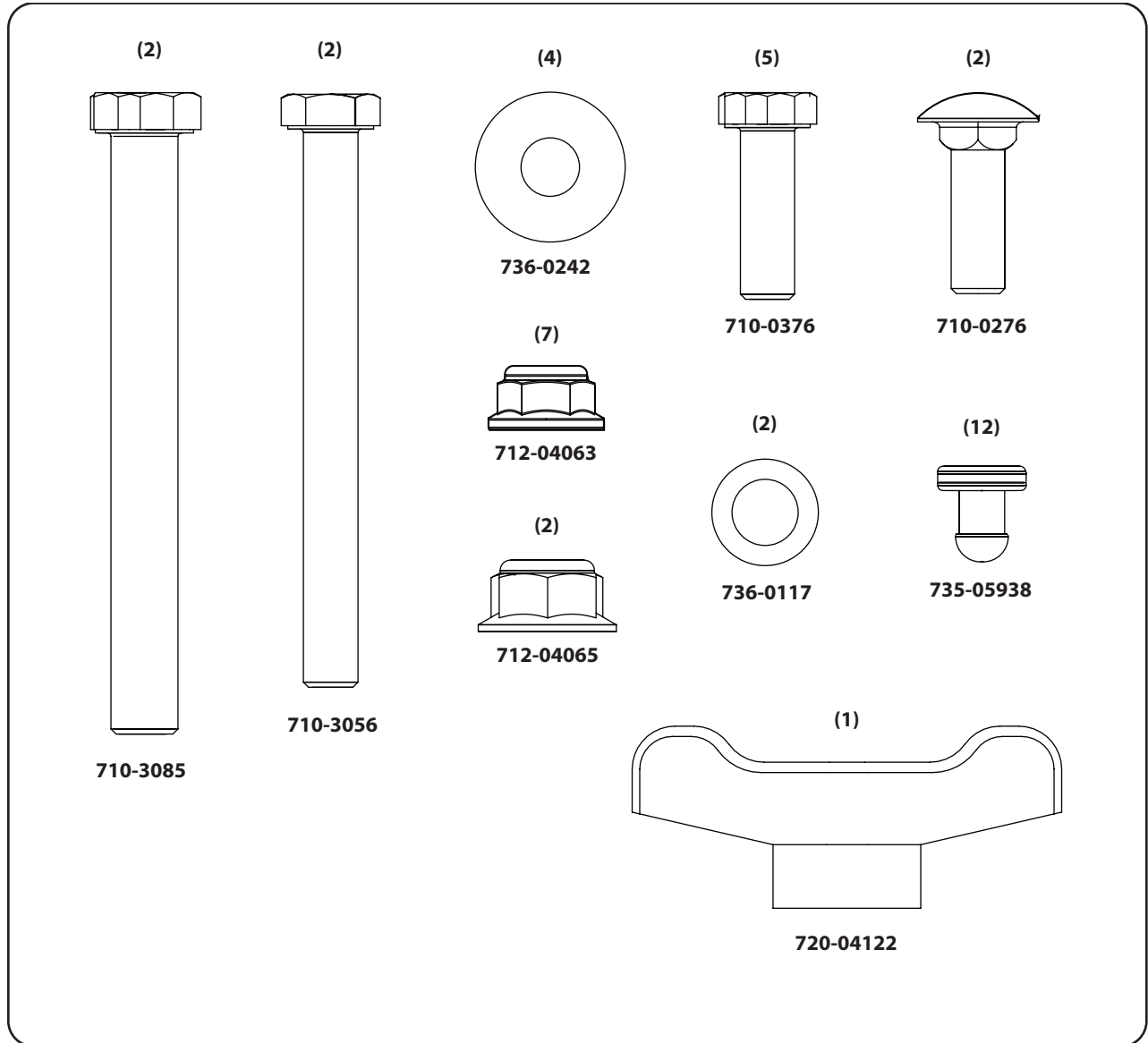


Figure 3-1

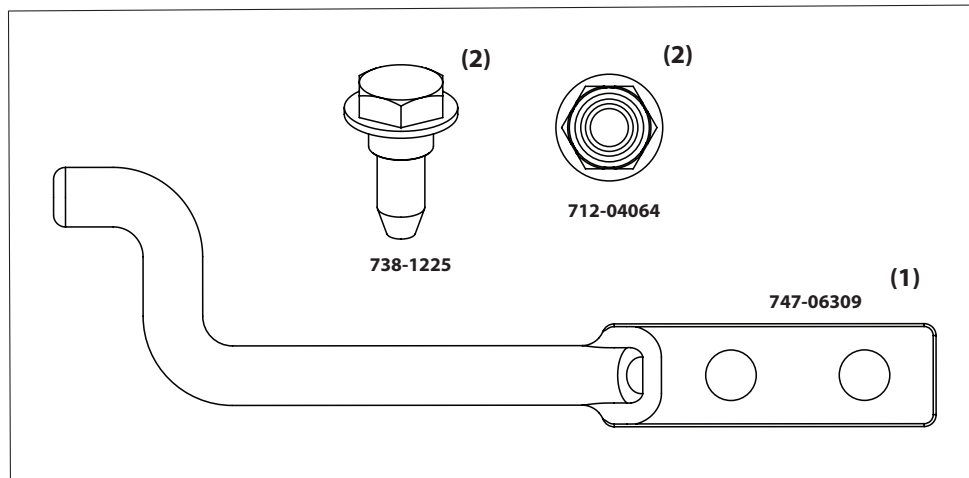
CONTENTS OF HARDWARE PACKS

Please check your hardware packs against the illustrations below. The quantities for each item is listed in parenthesis.

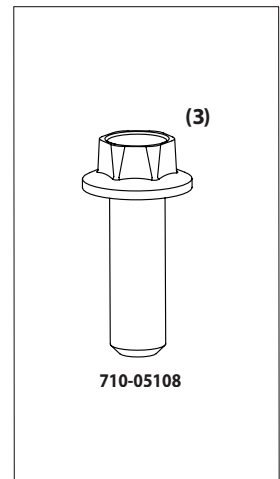
Hardware Pack 689-01419



Hardware Pack 689-02199



Hardware Pack 689-02299



NOTE: References to left, right, front and rear of the tractor are from the operator's position, unless otherwise stated.

- Before assembly, place the tractor on a firm, level surface, disengage the PTO, stop the tractor engine, and set the parking brake.

Assemble Mounting Brackets

1. Install 12 rubber pads (735-05938) into adapter bracket (789-02277) using the mounting holes shown in Figure 4-1.

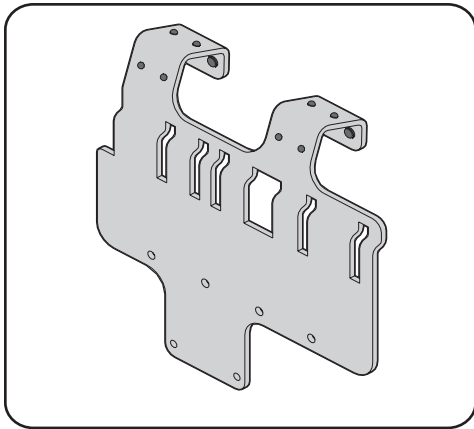


Figure 4-1

NOTE: Check the bumper pads after each season for excessive wear and replace as necessary.

Install Bracket Assembly on Tractor

NOTE: When assembling this mounting assembly, it is best to not fully tighten the bracket at this time. This will facilitate the mounting process in later steps, which will then require fully tightening this mounting assembly.

NOTE: The Triple Bagger 19A70056100 may only be attached to Ultima ZT2 series RZT's. Use Figure 4-2 to determine model by type of hitch bracket. Please contact customer service if you have any discrepancies.

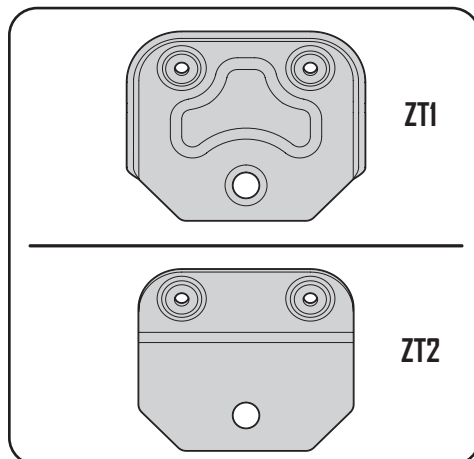


Figure 4-2

Install mounting bracket assembly on tractor as follows:

1. Remove hitch bracket.
2. **For ZT1 double bagger installation only:** Place two washers (736-0242) between hitch bracket adapter (789-02298) and the hitch bracket removed in Step 1.
3. Install bracket assembly to the tractor's lower frame with two capscrews (710-0376). See Figure 4-3.

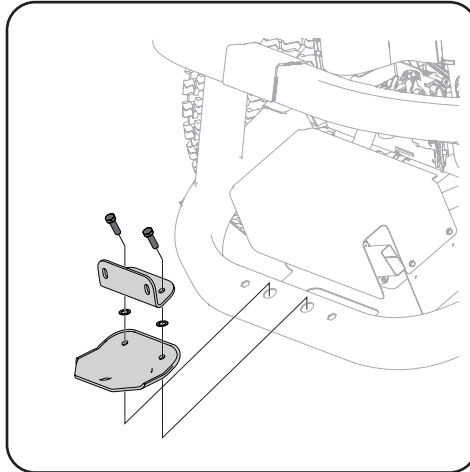


Figure 4-3

4. Hang adapter bracket assembly onto upper frame tube and connect to hitch bracket adapter (789-02298) with two screws (710-0376), two cup washers (736-0242), and two flange lock nuts (710-04063). See Figure 4-4.

NOTE: Make sure that the adapter bracket is seated firmly on the upper tube frame.

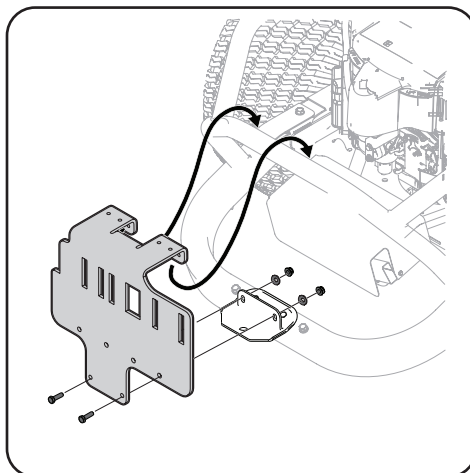


Figure 4-4

5. Tighten all of the hardware installed at this time.

Install Vertical Support

Note: This manual covers various bagger configurations. Please follow the instructions applicable to your machine.

1. Using Figure 4-5 and the chart below, locate the correct mounting hole location on the mounting bracket for your tractor:

Model No.	Description	Position
19A70054100	42/46" Double Bagger	4
19A70055100	50/54" Double Bagger	3
19A70056100	50/54" Triple Bagger	1

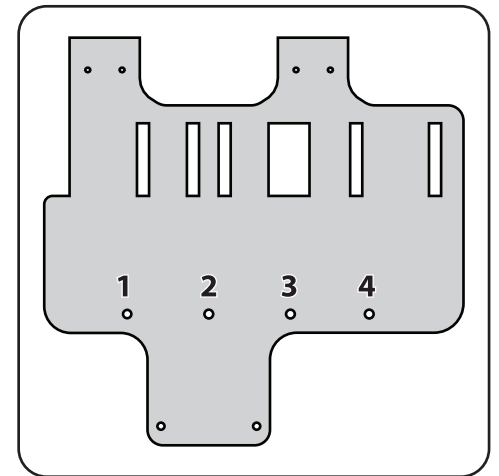


Figure 4-5

NOTE: Hole position 2 is currently not used.

2. Install the vertical support bracket onto the mounting assembly on the tractor by hooking it over the mounting assembly as shown in Figure 4-6.
3. Secure the upright support bracket to the mounting assembly using a hex bolt (710-0376) and flange lock nut (712-04063) from hardware pack 689-01419. See Figure 4-6.

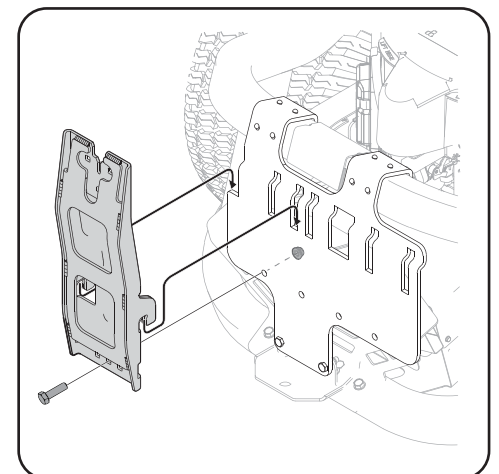


Figure 4-6

Install Hanger Assembly - Triple Bagger Model

For model number 19A70056100, follow the steps below.

1. Install and secure the hanger assembly onto the upright support bracket using two carriage bolts (710-0276), two cup washers and two flange lock nuts (712-04063) from hardware pack 689-01419. Figure 4-7.

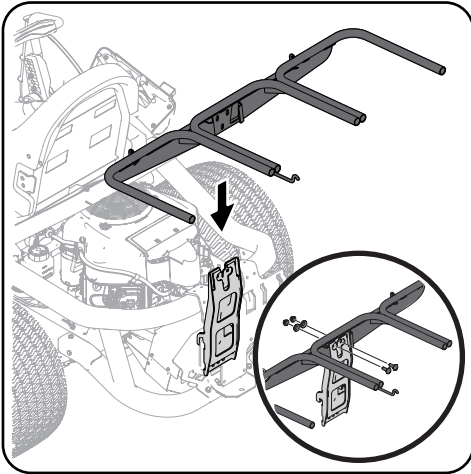


Figure 4-7

NOTE: The carriage bolts (710-0276), from hardware pack 689-01419, go in the top hole with the nut facing the engine. The hex bolt (710-0376), from the same hardware pack, goes in the bottom hole.

Install Top Bagger Components- Triple Bagger Model

For triple bagger model number 19A70056100, follow the steps below to install the bagger components.

With the mounting brackets assembled and in place on the tractor, follow these steps to assemble the remaining bagger components.

1. Snap the plastic upper chute support and chute deflector in place by first clipping the side portion onto the bagger support rail (1) as shown in Figure 4-8.

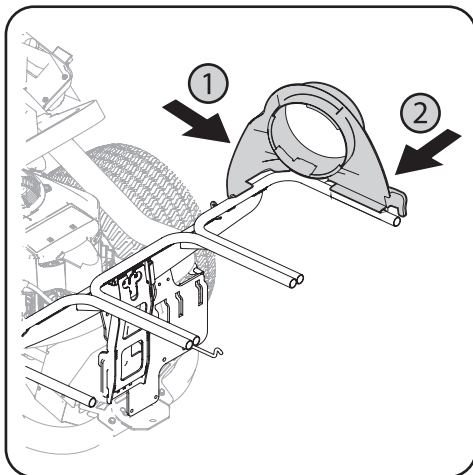


Figure 4-8

2. Snap the front side of the chute support to the rail (2), as shown in Figure 4-8.
3. Attach the upper chute support to the chute deflector using the three (3) screws supplied in hardware pack 689-02299. See Figure 4-9.

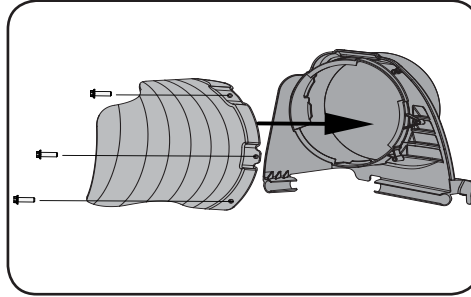


Figure 4-9

4. **If not already installed by the factory,** install the bagger screen into the bagger cover by first inserting one end into the corresponding cutout mounting hole. Make sure to feed the screen under the lip, as in Figure 4-10.

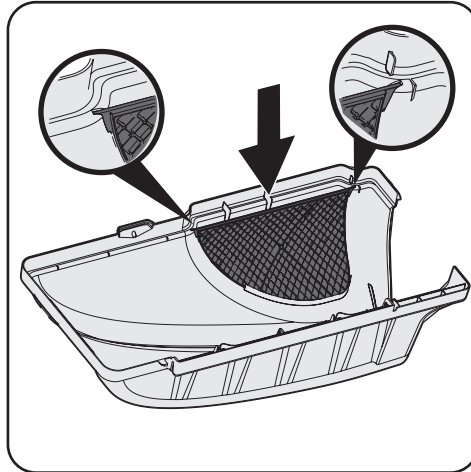


Figure 4-10

5. Install the bagger cover onto the bag support assembly, as seen in Figure 4-11. The plastic cover goes inside the two mounting tabs.

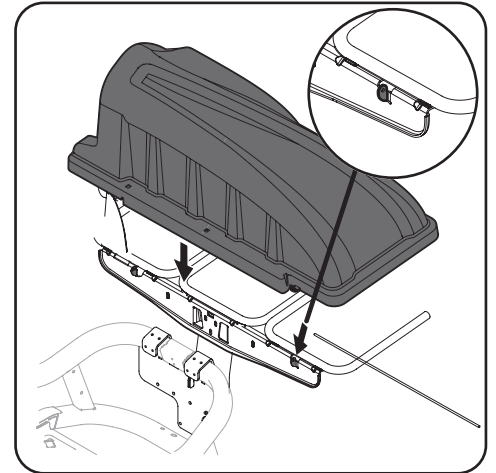


Figure 4-11

6. Slide the hinge pin into the hole located on the mounting tab, as shown in Figure 4-12. Use the cut-out windows (See inset in Figure 4-12) to line up the hinge pin on the other side and push pin all the way in until it reaches the end-stop. At this point the pin clips into place and is secured by a tab in the bagger cover.

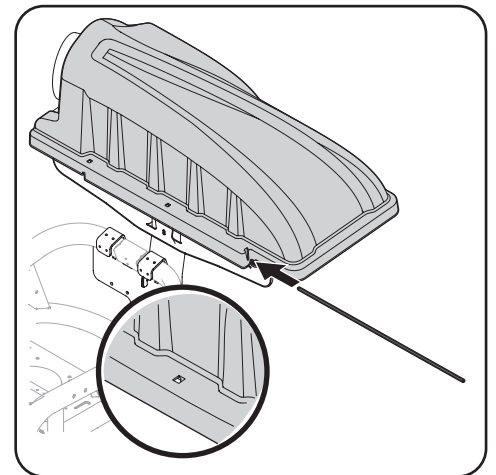


Figure 4-12

- Open hood by pushing in on the rear, right-side tab with your right hand (1), and lifting the cover with your left hand in the center rear of the bagger cover (2) as shown in Figure 4-13.

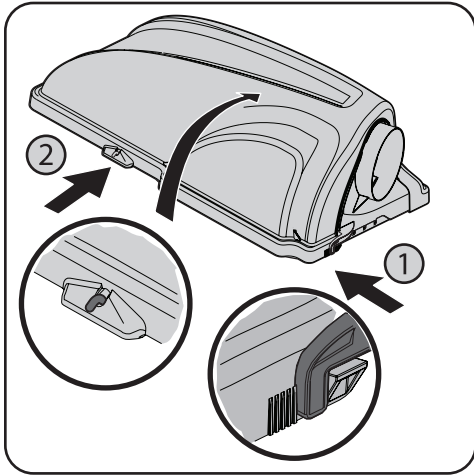


Figure 4-13

- Install all three bag assemblies onto the bag support brackets by inserting the front edge in first (1), and then setting the back edge down until it fits into the assembly (2) as shown in Figure 4-14.

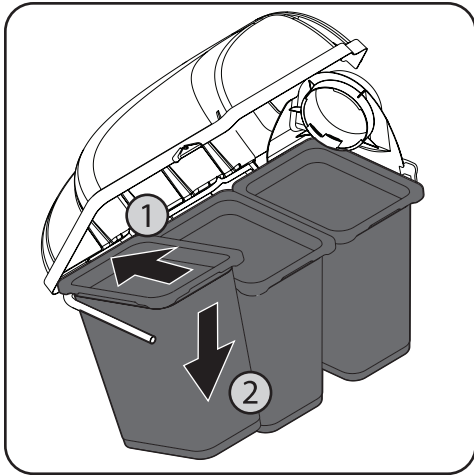


Figure 4-14

Installing the Boot Rod and Hardware

- From the inside of the boot, put the two Hex Head screws (738-1225) through the holes at the bottom front of the boot. See Figure 4-15.

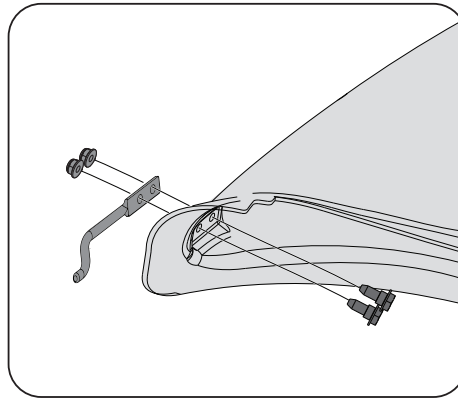


Figure 4-15

- Put the mounting rod (747-06309) in place over the Hex Head screws. Make sure the tip of the rod is facing out from the boot. See Figure 4-15.
- Begin threading the flange lock nuts (712-04064) onto the Hex Head screws. See Figure 4-15.
- Using a 7/16" wrench or socket on the screw and a 7/16" box wrench on the nylock nuts, tighten down so flange is flush to secure the assembly.

Installing the Discharge Chute - 19A70056100 Triple Baggers

When installing the discharge chute, two different installation instructions exist. For the 54" Fabricated deck units, the discharge chute elbow mounts directly onto the cutting deck. For the 50" and 54" stamped decks, an adapter must first be installed. Be sure to follow the instructions that pertain to the unit you are installing this bagger on.

54" Fabricated Deck Units:

- Raise the deck to its highest position.
- Raise the chute deflector (1 in Figure 4-16) on the deck and hold it while you position the discharge chute over the chute opening.

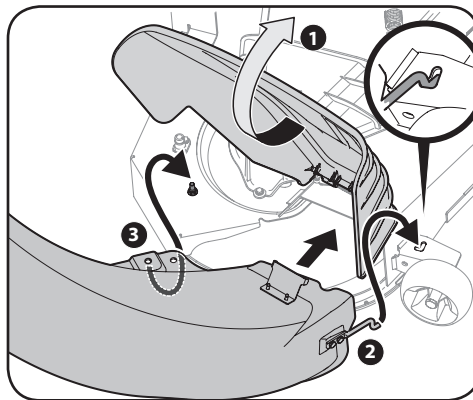


Figure 4-16

- Insert the end of the discharge chute elbow (2) into the hole provided in the deck wheel mount as shown in the inset of Figure 4-16.

- Pivot the discharge chute rearward until the hole in the discharge chute elbow aligns with the pin on the deck. Move the discharge elbow down onto that pin as shown in 3 of Figure 4-16.
- Secure the discharge chute elbow to the cutting deck using a wing knob (720-04122) included with the bagger kit. Refer to Figure 4-17.

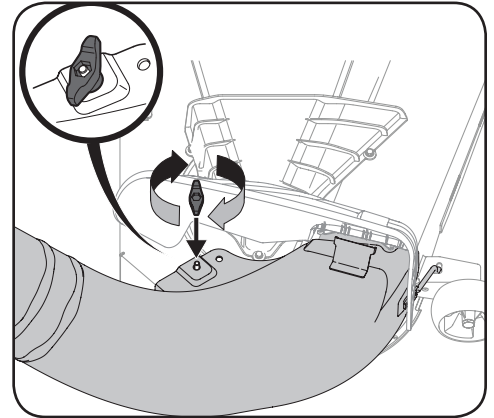


Figure 4-17

On 50" and 54" Stamped Decks:

- Raise the deck to its highest position.
- Remove the deck pin rubber protective cap, 1 in Figure 4-18.
- Raise the chute deflector (2 in Figure 4-18) on the deck and hold it while you install the chute adapter (731-10133) (3), onto the deck as shown in Figure 4-18.

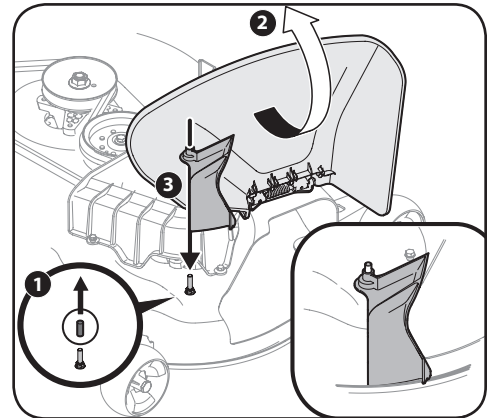


Figure 4-18

4. Insert the end of the discharge chute elbow (1) into the hole provided in the deck wheel mount as shown in the inset of Figure 4-19.

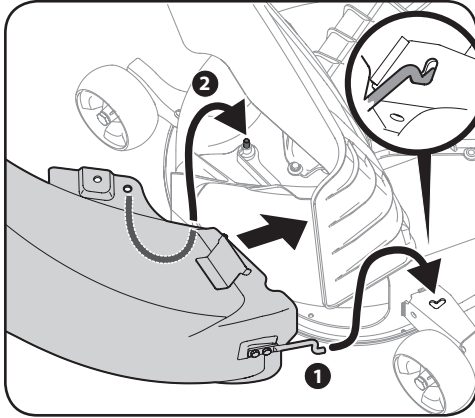


Figure 4-19

5. Pivot the discharge chute rearward until the hole in the discharge chute elbow aligns with the pin on the deck adapter. Move the discharge elbow down onto that pin as shown in 2 of Figure 4-19.
6. Secure the discharge chute elbow to the cutting deck using a wing knob (720-04122) included in hardware pack 689-01419. Refer to Figure 4-20.

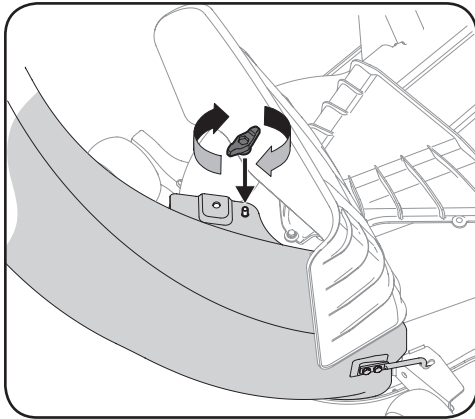


Figure 4-20

Installing the Upper Chute Tube - All Models

1. Thread the upper end of the chute tube securely into the upper chute support. There are two tabs on the lower inside part of the upper chute support to allow for secure threading. See Figure 4-21.
- NOTE:** The chute tube and upper chute support are **left-hand threaded**. Thread counterclockwise until secure.

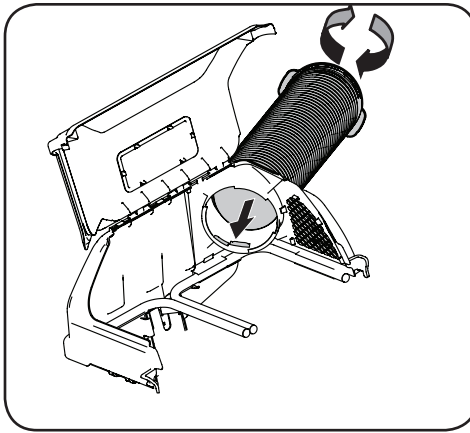


Figure 4-21

2. Slide the chute tube over the chute elbow mounted on the cutting deck, as shown in Figure 4-22.

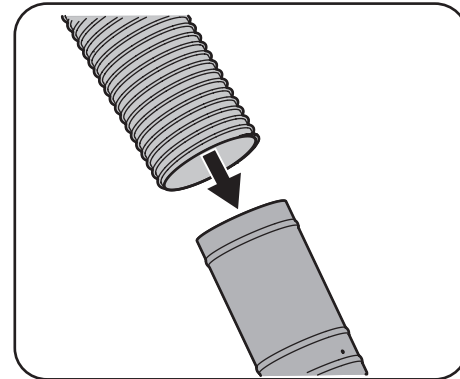


Figure 4-22

3. Make sure the connection is secure and there are no gaps between the chute tube and the chute elbow.
4. If open, close the grass catcher cover prior to mowing.

Install The Counter Weight



WARNING: This front-weight kit is required when operating any compatible RZT models equipped with a grass collector. Failure to install this kit may result in serious injury or death.



WARNING: Before beginning installation, place the RZT on a firm and level surface, set the parking brake, place the PTO in the disengaged (OFF) position, stop the motor and remove the ignition key to prevent unintended starting.

1. Before assembly, peel the adhesive decals from the sheet and apply to the inside faces of the right and left weight hanger brackets, as shown in Figure 4-23.

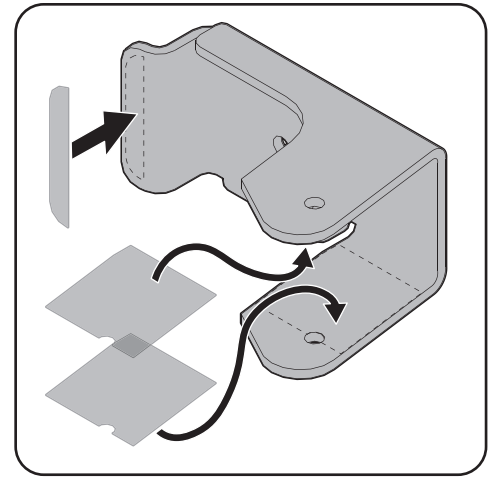


Figure 4-23

2. Attach the weight and three weight plates to the weight hanger brackets with two 3/8" Hex head capscrews (710-3085) and two nuts (712-04065) as shown in Figure 4-24.

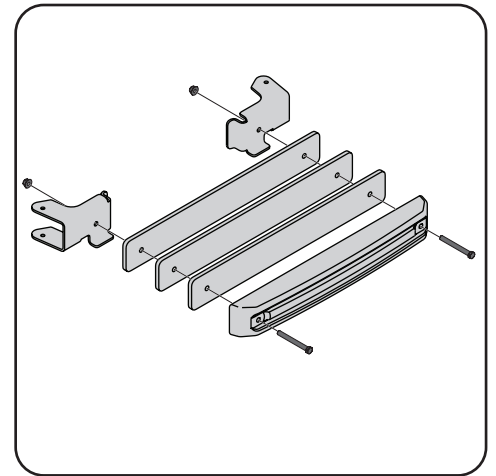


Figure 4-24

3. Visually center the weight bar assembly on the tractor and using two 5/16" Hex head capscrews (710-3056) and two nuts (712-04063) secure the counter weight assembly to the tractor as shown in Figure 4-25.

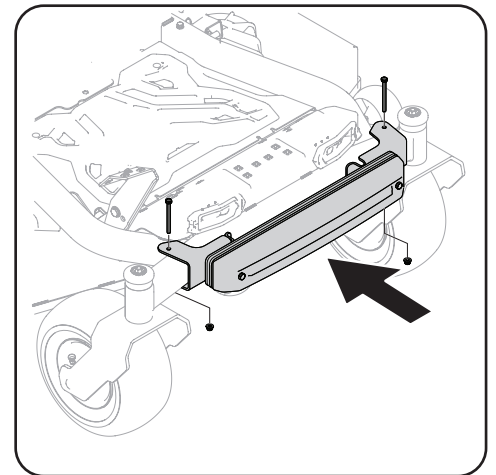


Figure 4-25