

Contents of Crate

- One Upper Handle
- Six Carriage Bolts
- One Grass Catcher (Model TB18R)
- Two Mid Handles
- Six Wing Knobs
- One Operator's Manual
- One Lower Handle
- Six Saddle Washers
- One Product Registration Card

Mower Set-Up

Attaching the Handle

1. Secure the upper handle to the mid handles with two carriage bolts, two saddle washers and two wing knobs. See Fig. 3-1.

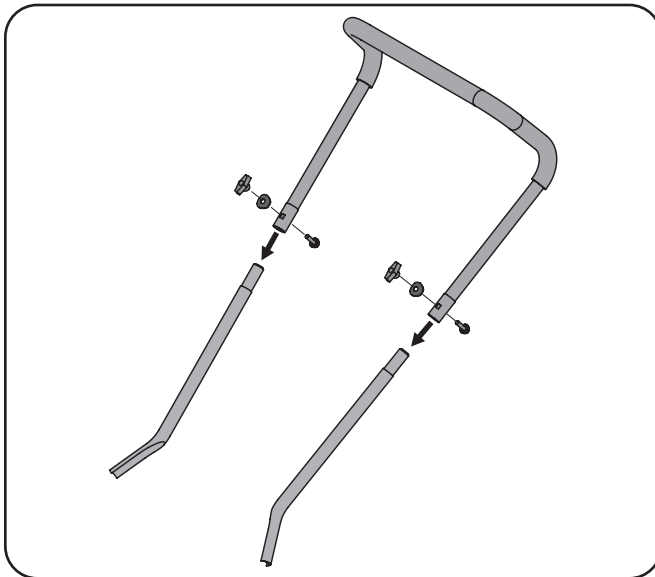


Figure 3-1

2. Secure the handle assembled in step 1 to the lower handle with four carriage bolts, four saddle washers and four wing knobs. See Fig. 3-2.
3. Position the complete handle assembly over the studs on the rear of the mower frame. See Fig. 3-3.

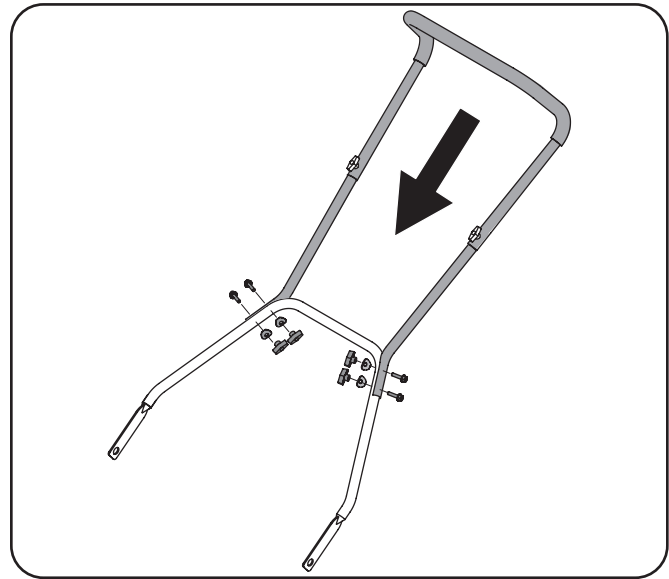


Figure 3-2

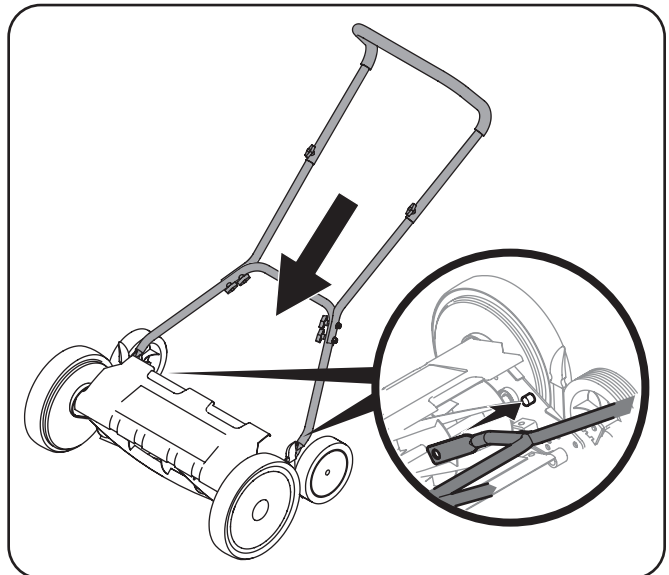


Figure 3-3

Adjusting the Cutting Height

The cutting height can be adjusted to between approximately 1-inch and 2½-inches (25.4 - 63.5mm).

1. Move the right-hand height adjustment lever outward and then position it forward (to lower the cutting height) or rearward (to raise the cutting height) before releasing it into the notch for your desired height. See Fig. 3-4.

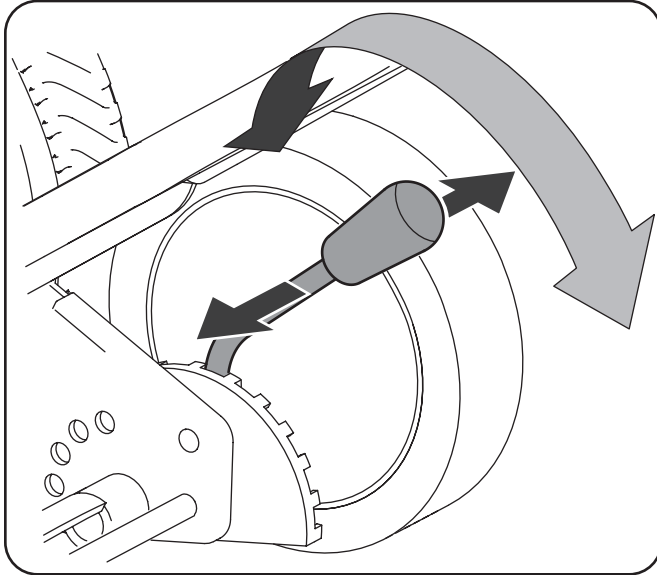


Figure 3-4

2. Repeat Step 1 on the left-hand side making sure to release the height adjustment lever into the corresponding notch.

Attaching the Grass Catcher (Model TB18R)

1. Expand the grass catcher from its collapsed position by opening up the hinges found on the inside of its frame.
2. Position the grass catcher hooks over the rod on the rear of the mower. See Fig. 3-5.

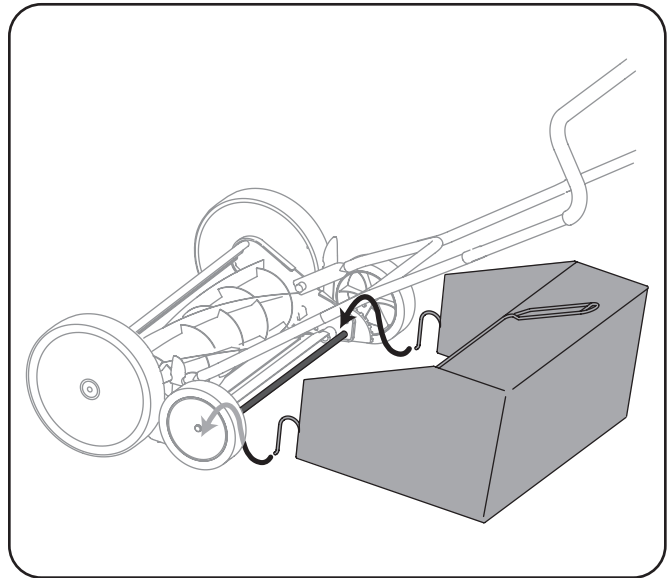


Figure 3-5

3. Position the strap through the grass catcher's handle and over the mower's lower handle crossbar to support the rear of the grass catcher. See Fig. 3-6. Adjust the length of the strap so that the bag is low to the ground but not dragging on the ground.

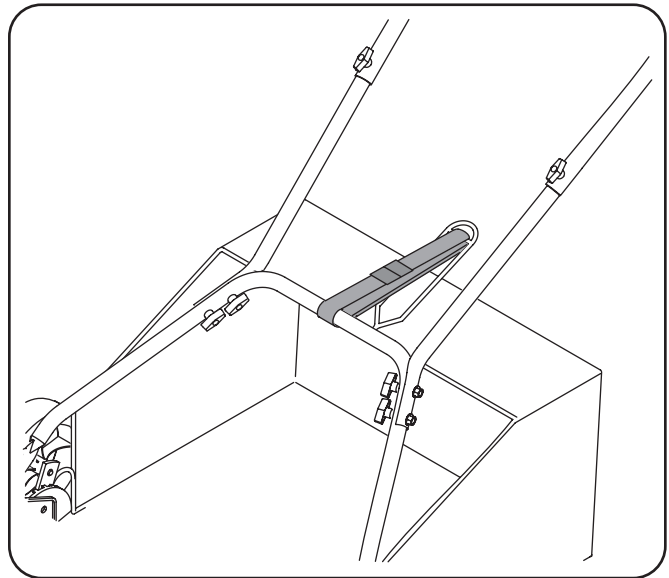


Figure 3-6